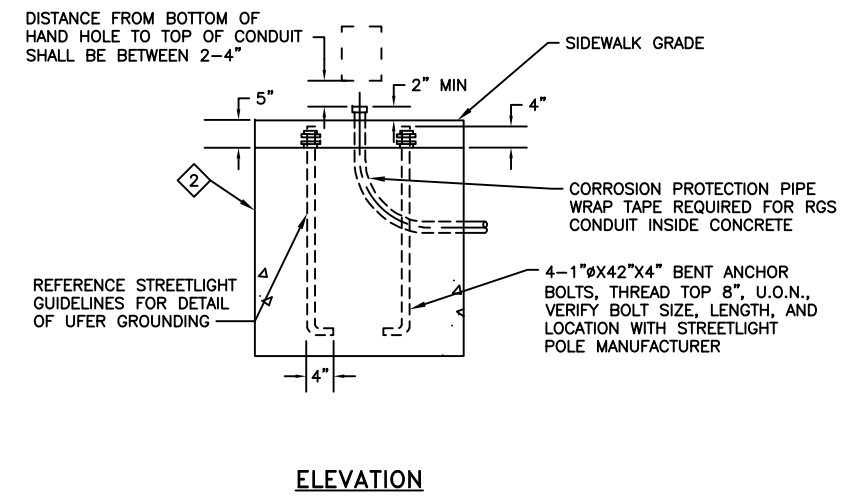
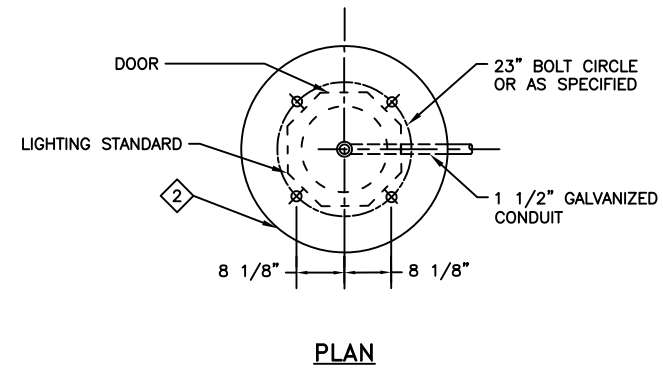


**THREADED INSERT**  
(LOCATION OF INSERT AS NOTED ON PLANS)

**DETAIL NOTES:**

- ① 8 1/2" X 9 1/2" GALVANIZED OR SHEET ALUMINUM DOOR TO FIT OPENING ACCURATELY FLUSH WITH EXTERIOR SURFACE. DIMENSIONS SHOWN INDICATE NET DOOR OPENING. FASTEN DOOR WITH BRONZE INSERTS AND 1/4" STAINLESS STEEL SCREWS.
- ② SPECIAL FOUNDATION IS NEEDED FOR THIS POLE. SUBMIT FOUNDATION CALCULATIONS AND DESIGN WITH ATTACHMENTS OUTLINED IN THE STREETLIGHT GUIDELINES



**FOUNDATION DETAIL**

THIS STANDARD PLAN WAS DEVELOPED FOR USE ON PUBLIC UTILITIES COMMISSION PROJECTS IN THE CITY AND COUNTY OF SAN FRANCISCO, AND SHALL NOT BE USED WITHOUT CONSULTING A REGISTERED PROFESSIONAL ENGINEER. SFPUC/POWER RESERVES THE RIGHT TO MAKE REVISIONS TO THIS STANDARD PLAN AT ANYTIME.

**STANDARD PLANS**  
**ELECTRICAL**  
TYPE D STREETLIGHT WITH OCTAGONAL CONCRETE STANDARD INSTALLATION DETAILS

TABLE OF REVISIONS  
THIS DRAWING WAS LAST TOUCHED ON 2023.06.29 - 8:20AM

REV	DATE	DESCRIPTION	BY	APP

SFPUC - POWER ENTERPRISE ENGINEERING: STREETLIGHTS

CITY AND COUNTY OF SAN FRANCISCO

CONSULTANTS: OTHER AGENCIES

DATE:	7/11/2023
DESIGNED:	CCSF
DRAWN:	DG
CHECKED:	RH
PROJ ENGR:	-
SCALE:	NOT TO SCALE

SHEET NAME  
**PE2656.10**

REVISION NUMBER  
**1.0**