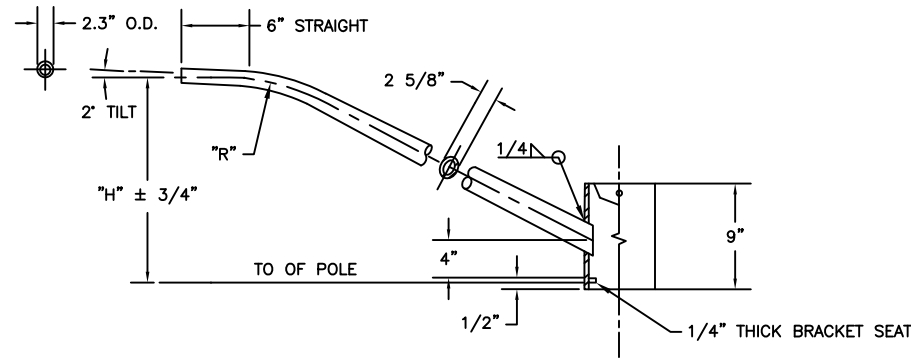
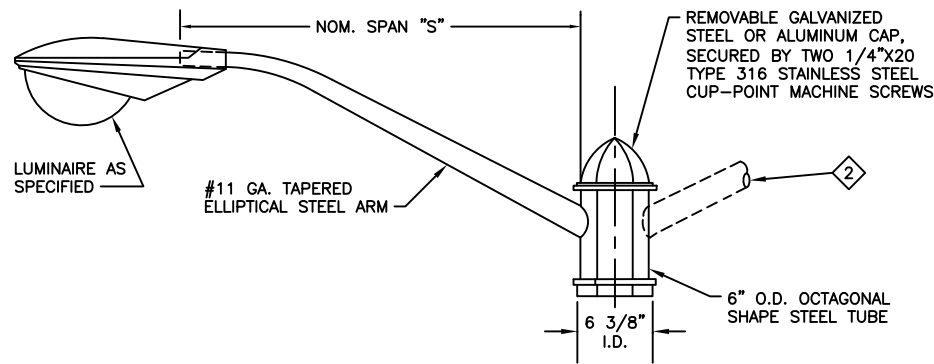


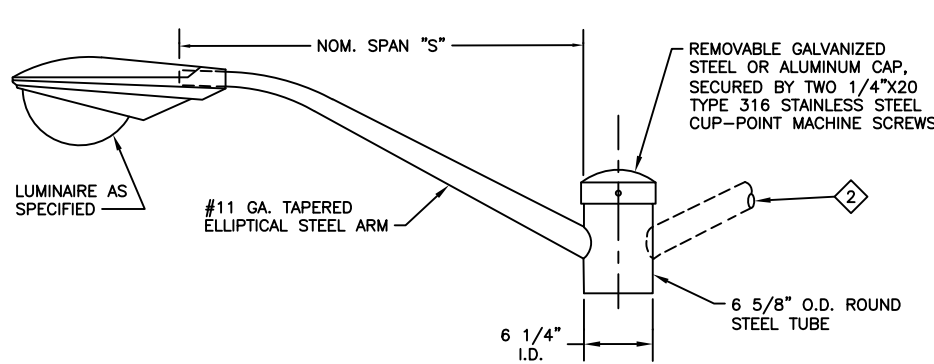
BRACKET DETAILS



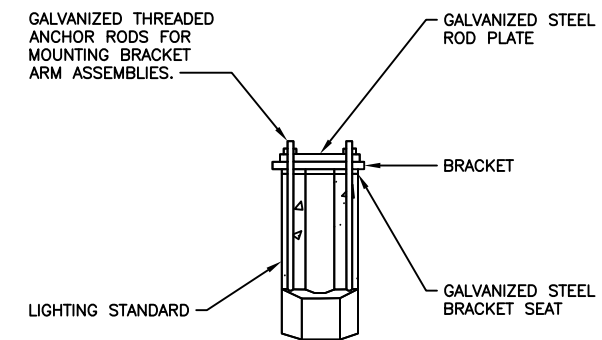
BRACKET DETAILS



BRACKET ELEVATION



BRACKET ELEVATION



TYPICAL DETAIL FOR MOUNTING BRACKET ASSEMBLY

TYPE D				
SINGLE BRACKET	TWIN BRACKET (180° SPACING)	"S" NOM.SPAN	"R" BEND RADIUS	"H" BRACKET RISE
DE - 4	DE - 4	4 FT.	2'-6"	17 3/4"
DE - 6	DDE - 6	6 FT.	2'-6"	29"
DE - 8	DDE - 8	8 FT.	5'-9"	29"

TYPE K				
SINGLE BRACKET	TWIN BRACKET (180° SPACING)	"S" NOM.SPAN	"R" BEND RADIUS	"H" BRACKET RISE
KE - 4	KKE - 4	4 FT.	2'-6"	28"
KE - 6	KKE - 6	6 FT.	2'-6"	28"
KE - 8	KKE - 8	8 FT.	5'-9"	28"

SHEET NOTES:

1. THREADS OF ANCHOR RODS FOR MOUNTING BRACKET ARM ASSEMBLIES AND SCREWS FOR REMOVABLE CAPS ON NEW AND EXISTING STANDARDS SHALL BE CLEANED WITH A MOTOR-DRIVEN WIRE BRUSH AND WITH AN APPROVED RUST REMOVING COMPOUND AND THEN COATED WITH FACTORY-MIXED WATERPROOF GRAPHITE GREASE. APPLICATION OF THE GREASE SHALL BE MADE BEFORE AND AFTER INSTALLATION OF BRACKET ARM ASSEMBLIES AND REMOVABLE CAPS.
2. INSTALL DUPLICATE BRACKET ARM WHERE "TWIN-MEMBER" STREETLIGHTS ARE SPECIFIED. ARMS SHALL BE INSTALLED IN A "BACK-TO-BACK" ARRANGEMENT (180° TO EACH OTHER).
3. BRACKET ARM ASSEMBLIES SHALL BE INSTALLED TRUE AND PLUMB AND ORIENTED PERPENDICULAR TO CENTERLINES OF ROADWAYS OR TO CURBS UNLESS OTHERWISE DIRECTED.
4. ALL WELDS SHALL BE GROUND SMOOTH.
5. BRACKET ARM ASSEMBLIES AND BRACKET ARMS SHALL BE DESIGNED TO SUPPORT A LUMINAIRE WEIGHING 70 LBS AND HAVING A PROJECTED WIND AREA OF 3.50 SQUARE FEET. THE BRACKET ARM SHALL NOT DEFLECT IN A VERTICAL PLANE OF MORE THAN 1% IN A HORIZONTAL PLANE, THE BRACKET ARM SHALL DEFLECT NOT MORE THAN 1 1/2 INCHES.
6. BRACKET ARM ASSEMBLIES SHALL BE HOT-DIP GALVANIZED AFTER FABRICATION.
7. BRACKET ARM ASSEMBLIES SHALL BE PAINTED AS SPECIFIED

THIS STANDARD PLAN WAS DEVELOPED FOR USE ON PUBLIC UTILITIES COMMISSION PROJECTS IN THE CITY AND COUNTY OF SAN FRANCISCO, AND SHALL NOT BE USED WITHOUT CONSULTING A REGISTERED PROFESSIONAL ENGINEER. SFPUC/POWER RESERVES THE RIGHT TO MAKE REVISIONS TO THIS STANDARD PLAN AT ANYTIME.

**STANDARD PLANS
ELECTRICAL
TYPE D AND TYPE K
BRACKET ARM ASSEMBLIES**

TABLE OF REVISIONS
THIS DRAWING WAS LAST TOUCHED ON 2023.06.29 - 8:20AM

REV	DATE	DESCRIPTION	BY	APP

SFPUC - POWER ENTERPRISE ENGINEERING: STREETLIGHTS
CITY AND COUNTY OF SAN FRANCISCO

DATE: 7/11/2023
DESIGNED: CCSF
DRAWN: DG
CHECKED: RH
PROJ ENGR:
SCALE: NOT TO SCALE

SHEET NAME
PE2656.09

REVISION NUMBER
1.0

CONSULTANTS: OTHER AGENCIES