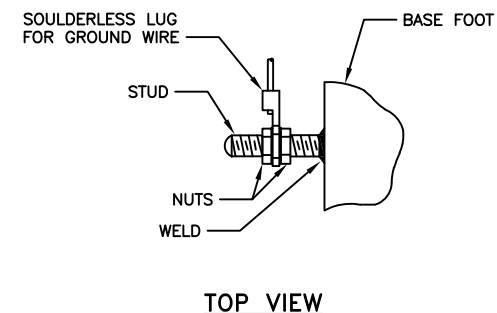
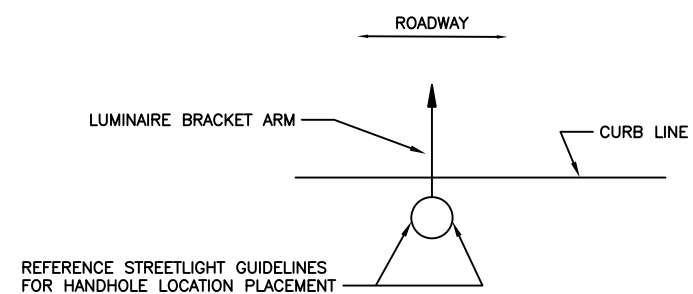


SHEET NOTES:

1. THE DOOR OPENING COVER SHALL HAVE SAME CONTOUR AS THAT OF THE SHAFT AND WHEN INSTALLED SHALL BLEND SYMMETRICALLY WITH THE SURFACE OF THE SHAFT.
2. THE POLE-TOP BRACKET, BRACKET ARM, POLE TOP, AND ANCHOR BOLTS WITH NUTS AND WASHERS SHALL BE STEEL, HOT-DIP GALVANIZED AFTER FABRICATION.
3. ALL SCREWS, NUTS AND WASHERS FURNISHED AND INSTALLED SHALL BE FABRICATED FROM STAINLESS STEEL; WASHERS SHALL BE OF THE SHAKEPROOF TYPE WITH INTERNAL TEETH.
4. BEFORE INSTALLING THE POLE-TOP BRACKET ARM ASSEMBLY, THE THREADED RODS PROTRUDING FROM THE TOP OF THE STANDARD SHALL BE COATED WITH GREASE CONTAINING A HIGH CONTENT OF GRAPHITE.
5. LOCATION AND ORIENTATION OF LUMINAIRE, AND NUMBER AND DIRECTION OF CONDUITS SHALL BE AS SHOWN ON PLANS OR AS SPECIFIED.
6. ON STREETS WHERE GRADES EXCEED 3 PERCENT, STANDARDS SHALL BE INSTALLED WITH THE DOOR OPENING ON THE 'DOWNHILL' SIDE OF THE STANDARD.



**TOP VIEW
DETAIL 1**



TYPICAL LOCATION OD DOOR OPENING

THIS STANDARD PLAN WAS DEVELOPED FOR USE ON PUBLIC UTILITIES COMMISSION PROJECTS IN THE CITY AND COUNTY OF SAN FRANCISCO, AND SHALL NOT BE USED WITHOUT CONSULTING A REGISTERED PROFESSIONAL ENGINEER. SFPUC/POWER RESERVES THE RIGHT TO MAKE REVISIONS TO THIS STANDARD PLAN AT ANYTIME.

**STANDARD PLANS
ELECTRICAL**
STREETLIGHT ON ROUND
CONCRETE STANDARD
FOR RESIDENTIAL AREAS
INSTALLATION DETAILS

TABLE OF REVISIONS
THIS DRAWING WAS LAST TOUCHED ON 20230629 - 8:18AM

REV	DATE	DESCRIPTION	BY	APP

SFPUC - POWER
ENTERPRISE
ENGINEERING: STREETLIGHTS

CITY AND COUNTY OF
SAN FRANCISCO

DATE:	7/11/2023
DESIGNED:	CSF
DRAWN:	DG
CHECKED:	RH
PROJ ENGR:	-
SCALE:	NOT TO SCALE

SHEET NAME
PE2656.05

REVISION NUMBER
1.0

CONSULTANTS: OTHER AGENCIES