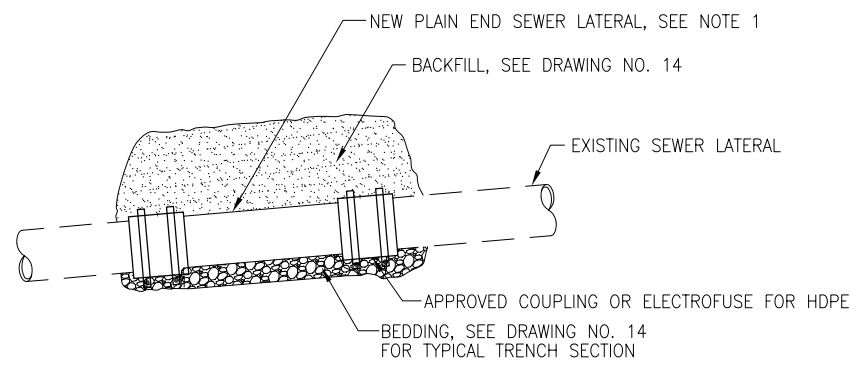


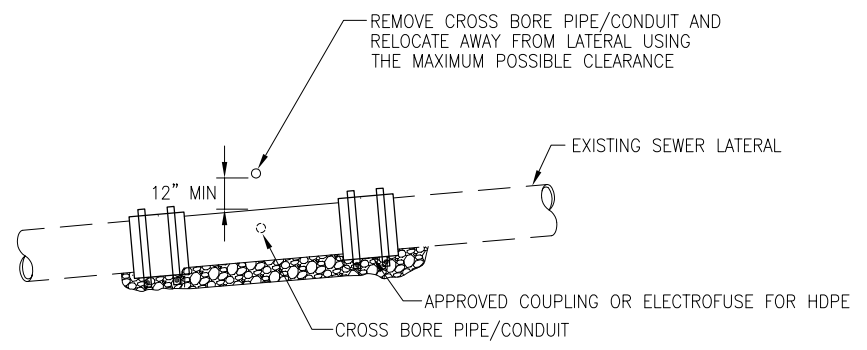
\\woodwardclark.com\net\sharad\Projects\RM\CSF\002-SFPUC\002-007 SFPUC WW CS-955918.Task Order\TO 10 - Sewer Laterals Program Phase 1B. Project Work\Task- Revised Standards and Details Completion\Final Submittal\CAD\RevisedSewer Config Figures.dwg



NOTE:

1. REPLACEMENT SEWER LATERAL SIZE AND MATERIAL SHALL MATCH THAT OF EXISTING SEWER LATERAL. IF SIZE OR MATERIAL DO NOT MATCH, PROVIDE A COUPLING THAT WILL ACCOMMODATE VARIATIONS IN PIPE O.D.
2. THE FULL LENGTH OF THE DEFECTIVE PIPE MUST BE REPLACED TO AVOID CREATION OF NEW JOINTS.

TYPICAL SEWER LATERAL REPAIR SECTION
 NOT TO SCALE



NOTE:

1. FOR ALL OTHER REPAIR INFORMATION SEE DETAIL 1 ON THIS SHEET.

SEWER LATERAL REPAIR SECTION FOR CROSS BORES
 NOT TO SCALE



APPLICABLE TO BOTH
 COMBINED AND SANITARY
 SEWER SYSTEMS



**SEWER LATERAL
 STANDARD DETAILS**
 SAN FRANCISCO PUBLIC UTILITIES COMMISSION

DATE MAY 2017	REVISION 1.0	REVISED
------------------	-----------------	---------

SEWER LATERAL BREAK REPAIR

DWG NO.